



FUELLING LADDER

The ideal platform for your maintenance, refuelling, de-icing and repair work. Individually height-adjustable, easy to move and extremely robust!



Cost-effective

The platform can be used all year round for activities such as maintenance, refuelling, de-icing and repair work.



Extendable

Thanks to the integrated rope winch, the height of the platform can be easily and quickly adjusted (adjustment range 1,330 mm).



Flexible

Choose between different castor sizes and basket variants.



Safe

The spacious platform (1,000x600 mm) with three-sided guardrail offers maximum comfort and safety at any height.



Intelligent

The self-closing barrier secures the working area and prevents persons accidentally slipping off the platform.



Convenient

Convenient ascent thanks to an inner ladder width of approx. 700 mm and continuous handrail.



Mobile

With four castors, two of which are swivel castors and two are fixed castors for convenient movement of the platform. The castor diameter can be freely selected.



Practical

Shipped in pre-assembled modules. On request, we will be happy to carry out the final assembly for you.

FUELLING LADDER

The ideal platform for your maintenance, refuelling, de-icing and repair work. Individually height-adjustable, easy to move and extremely robust!

EN
131-7

Max.
150 kg

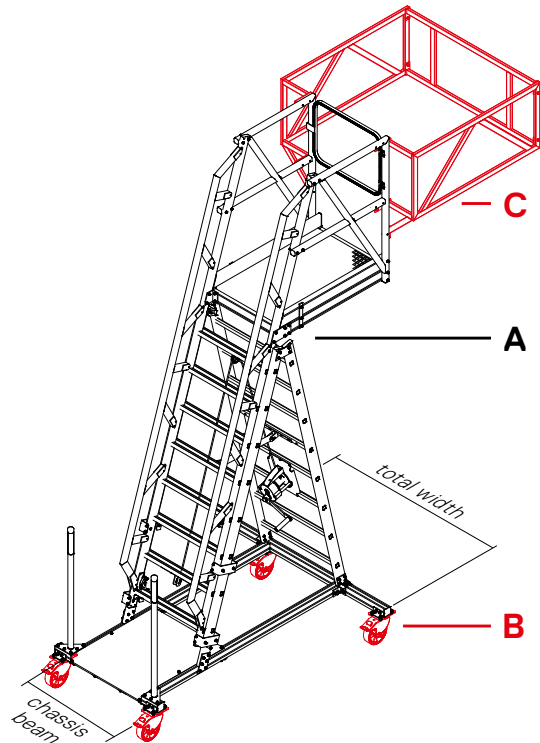
10
YEAR
GUARANTEE

★ ★ ★
MADE IN
GERMANY

A Basic ladder module

min. total height (approx. m)	3.79 ¹⁾ /3.83 ²⁾
max. total height (approx. m)	5.12 ¹⁾ /5.16 ²⁾
min. total length ³⁾ (approx. m)	2.42
max. total length ³⁾ (approx. m)	2.87
Total width (approx. m)	1.59
min. platform height (approx. m)	2.66 ¹⁾ /2.70 ²⁾
max. platform height (approx. m)	3.99 ¹⁾ /4.03 ²⁾
Platform length (approx. mm)	1,000
Platform width (approx. mm)	600
Guardrail height (approx. mm)	1,100
Rope winch tensile load with gear ratio (kg)	300
Chassis beams (approx. m)	1.00
Chassis length (approx. m)	2.20
Permissible load (kg)	150
Dead weight without basket (approx. kg)	263
Order no.	228001

¹⁾ with 160 mm castor diameter
²⁾ with 200 mm castor diameter
³⁾ without basket



B Mandatory module for castors



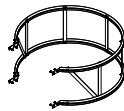
small



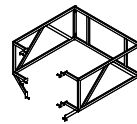
large

Castor diameter (approx. mm)	160	200
Content of the set	2 fixed castors (unbraked) and 2 swivel castors with StopFix (brake)	2 fixed castors (unbraked) and 2 swivel castors with StopFix (brake)
Order no.	0055221	0055222

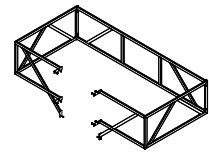
C Optional basket module



round



small



large

Protective cage dimensions (approx. mm)	Ø 1,3000	1,260x1,190	2,500x1,190
Order no.	0055232	0055212	0055213

Hymer-Leichtmetallbau GmbH & Co. KG

Käferhofen 10 | 88239 Wangen | Germany

Telephone +49 75 22 700-702

technical-sales@hymer-alu.de | hymer-access.com