



Stairs, platforms and maintenance platforms  

**H
Y
M
E
R**

**MADE FOR PEOPLE
WHO GET THINGS
DONE.**

Find the right access technology with just a few clicks.

TABLE OF CONTENTS

12 HYMER configurations

13 Fixed stairs

14 Fixed stairs with platform

15 Mobile podiums

16 Fixed crossings

17 Hymer-ARCTICA de-icing platform

18 Multifunctional work platform

22 Special designs

23 Example application bus maintenance platform

24 Example application assembly platform

THE HYMER MODULAR SYSTEM

Compact, cost-effective and fast solutions.

COMPONENTS

Functional assemblies

Components

Accessories

- Specially designed aluminium extruded profiles for maximum stability and functionality
- Standardised, interchangeable functional assemblies such as guardrails, steps and platforms, chassis and much more depending on requirements
- Various step and platform treads in different slip-resistance ratings (R11, R12 and R13)
- Standards applied: DIN EN ISO 14122, EN 1004 and EN 131-7

CONFIGURATION



Online configurator

- Quickly and easily configure your own stairs, platforms and maintenance platforms
- Select preset modules/components and enter product specifications
- 3D model generated in real time
- Receive an instant quote
- Reliable and fast delivery
- Order online or via our sales team

hymer-configurator.com




Customer-specific industry solutions


Standardised stairs, platforms and maintenance stairs cannot always cover all individual requirements. That's why we design solutions consisting of sets of HYMER modules, which we adapt precisely to the respective industry and customer-specific requirements. Simply contact our sales team, who will be happy to advise you.

SERVICE

Contact person

Whether in person on site, by telephone, e-mail or video calling – we are more than just there for you. Our employees' many years of experience and know-how ensure a high degree of flexibility and reliability. So we offer the simplest, fastest and most unconventional service. Your contact partners take on every challenge.

 +49 7522 700-702

 technical-sales@hymer-alu.de




Find the fitting solution with just a few clicks.

Assembly work on commercial vehicles or maintenance work on machines?
Unthinkable without access technology! Based on the HYMER modular
system, compact and cost-efficient solutions can be conveniently
in the real-time 3D model:

1. Select a pre-configured product.
2. Specify desired parameters.
3. Receive an immediate quotation, save the configuration and send the order.
4. Delivery is reliable and fast.

Our configurator is continuously being expanded for an even larger product
selection.

hymer-configurator.com

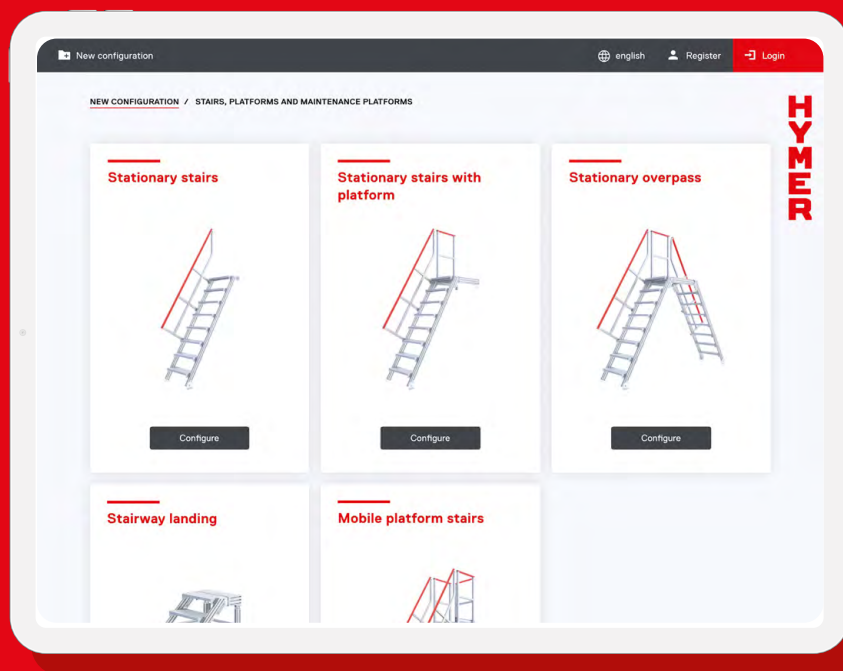
-  **Simply configured.**
-  **Offer created immediately.**
-  **Quickly delivered.**

MADE FOR PEOPLE WHO GET THINGS DONE.

HYMER ONLINE – THE PRODUCT-CONFIGURATOR

Find the right solution with just a few clicks.

The HYMER modular system is the basis for conveniently configuring our high-quality products and solutions to suit your needs.



01

Select product.

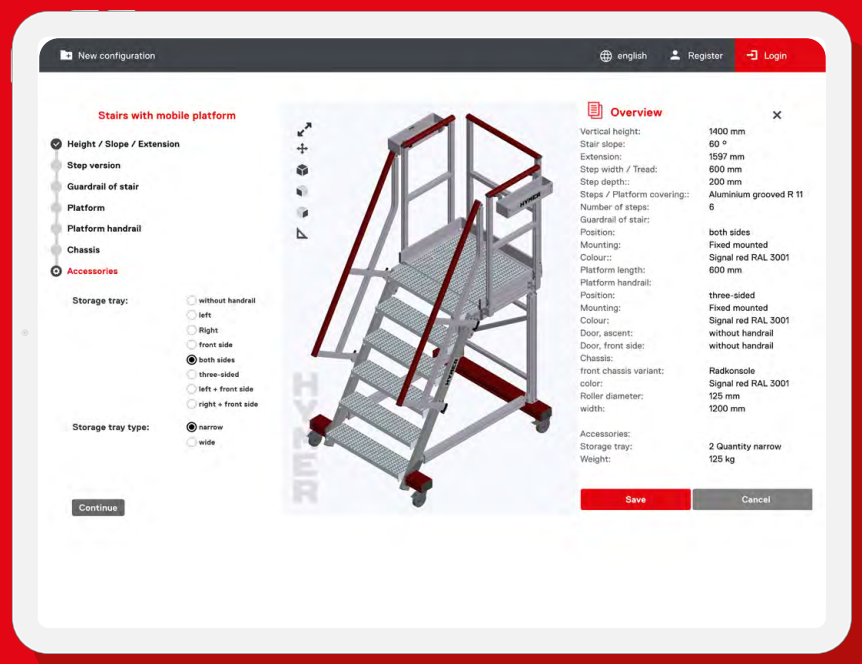
View our range of different pre-configured products to find the solution that comes closest to suiting your needs. You can then configure your product with our optional standard parts and components.

02

Configure product features.

Intuitive operation via slider and selection fields when entering parameters such as height/ inclination/reach, step design, handrail, platform and platform railing.

A 3D model generated in real time helps to better visualise the product during configuration.



03

Display a detailed quote.

The configuration can be saved and retrieved at a later time.

Once the configuration is complete, you can view your detailed, individual offer with just one click. Is everything the way you want it? Then simply place the order.

New configuration

english Register Login

Height: General information Configuration number CID00222676

Step v: Comment Mobile podium

Guards: Customer data: Company name Customer number Title First name Surname Street Postcode City Customer country Deutschland

Platform: Access: Email address Emailadresse password Password

Summary of the configuration

Vertical height: 1400 mm
Stair slope: 60°
Extension: 1597 mm
Step width / Tread: 600 mm
Step depth: 200 mm
Steps / Platform covering: Aluminium grooved R 11 6
Guardrail of stair: Position: both sides
Mounting: Fixed mounted
Colour: Signal red RAL 3001
Platform length: 600 mm
Platform handrail: Position: three-sided
Mounting: Fixed mounted
Colour: Signal red RAL 3001
Door, ascent: without handrail

Sign in Create account Back

Your way to receiving 3D data (.stp format) is simple – just indicate us your CID-configuration number – and shortly afterwards you can continue with the integration in your planning program.



04

Have your access solution delivered.

The order is processed immediately, delivery is reliable and fast. Set-up is completed in no time thanks to robust screw connections.

Our service team will be happy to advise you at any time, whether on site, by telephone or by e-mail:

☎ +49 7522 700-702

✉ technical-sales@hymer-alu.de



hymer-configurator.com

HYMER MODULAR SYSTEM

Standard components for greater flexibility.

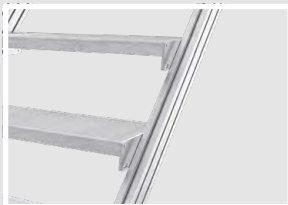
The modular design of the HYMER system allows flexible assembly of the individual standardised components. The robust design of the modules ensures high stability and a long service life.

You can download assembly instructions for our stairs, platforms and maintenance platforms at hymer-access.com/service/downloads.

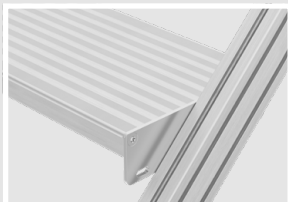
hymer-configurator.com



Platform lengths in 50 mm increments. Various platform treads.



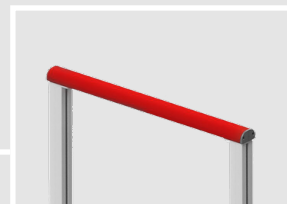
Stair angles from 35° to 75°.



Different step widths and different step coverings. Standing heights in 10 mm increments.



Product example: Mobile platform stairway 22300608



Sturdy, modular railings with ergonomic, coated handrail.



Robust support structure for safe working at heights.



Different castor types, ergonomic foot pedal brake. Brightly coloured mobile cross-beams.

MADE IN GERMANY

COMPONENTS

The right option for every requirement.

Stairs

Steps

Platform

Design & chassis

Stair angle
from 35° – 75°
in 5° increments



Step width
optionally 600, 800
or 1,000 mm



Platform guardrail
fixed and removable



Standing height
in 10 mm increments



Stair guardrail
fixed and removable



Step treads
from R11 to R13



Platform treads
from R11 to R13



**Chassis with swivel
or fixed castors**



Stair length



Platform length
in 50 mm increments



Individual HYMER modular system components can be selected, from stairs with various angles to a battery-operated electric brake system, precisely adapting each solution to individual preferences. Of course, we can also design customer-specific solutions for all standard parameters. Simply let us know!

Default selection

ACCESSORIES

Functional details for greater convenience and safety.

Safe work on the platform

Platform railing, frontal

- Order no. 22990030 for platform width 600 mm
- Order no. 22990031 for platform width 800 mm
- Order no. 22990032 for platform width 1,000 mm



Platform railing, lateral

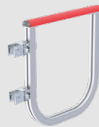
- Order no. 22990033



Self-closing safety gates

Safety gate, self-closing

- Order no. 20000717 for width 600 mm
- Order no. 20000718 for width 800 mm
- Order no. 20000719 for width 1,000 mm



Practical, convenient, stable

Clamping lever for removing the guardrail

- Order no. 22990034 (1 piece)
- Order no. 22990035 (2 pieces)
- Order no. 22990036 (2 pieces + 2 guardrail brackets)
- Order no. 22990037 (3 pieces + 3 guardrail brackets)



Plastic support plate

- Order no. 20000661



Tray

- Order no. 20000582 500x100 mm
- Order no. 20000583 500x200 mm



Safe attachment, placement, mounting

Suspension hooks set

- Order no. 20000741



Attachment brackets set

- Order no. 20000659



Support brackets set

- Order no. 20000660



Triangular bracket

- Order no. 20000209



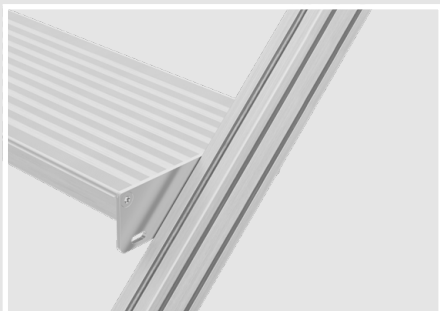
You decide which accessory elements you want to use to increase the convenience and safety of your individual access solution. We offer a wide range of accessories – for customised, highly functional solutions.

STEP AND PLATFORM TREADS

Treads for any application.

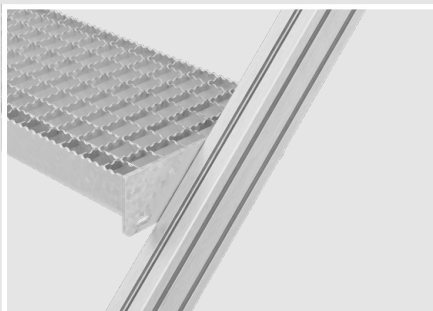
By selecting the tread, comfort and safety can be increased in the access solution's respective area of application. When used outdoors, the employers' liability insurance associations recommend the use of steps made of aluminium or steel grating.

Aluminium, grooved, anti-slip property class R11



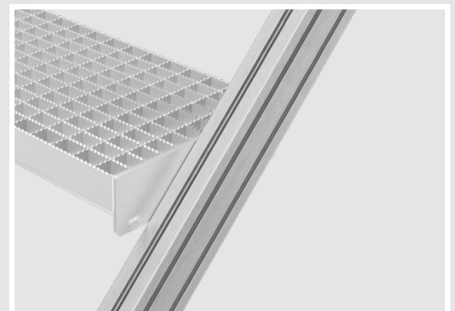
- Use with low requirements for anti-slip properties (DIN 51130)
- For dry indoor areas

Steel grating, galvanised, anti-slip property class R12



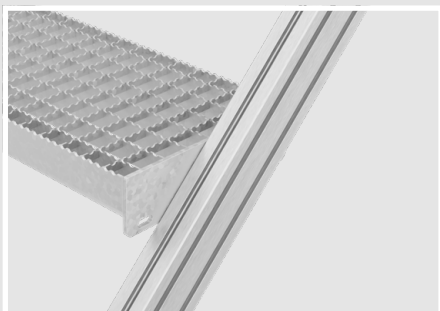
- Use with high requirements for anti-slip properties (DIN 51130)
- For contaminated areas, also with liquids (no oils)

Aluminium grating, anti-slip property class R13



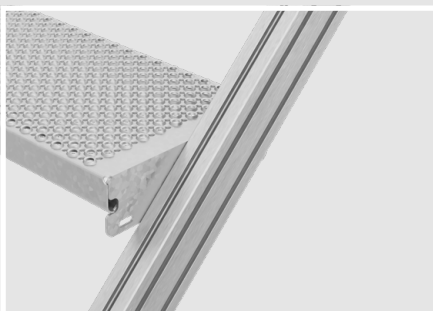
- Use with high requirements for anti-slip properties (DIN 51130)
- For contaminated areas, also with liquids and oils

Steel grating, galvanised, anti-slip property class R13



- Use with high requirements for anti-slip properties (DIN 51130)
- For contaminated areas, also with liquids and oils

Perforated steel, galvanised, anti-slip property class R13



- Use with high requirements for anti-slip properties (DIN 51130)
- For contaminated areas, also with liquids and oils

HYMER CONFIGURATIONS

- 13 Fixed stairs
- 14 Fixed stairs with platform
- 15 Mobile podiums
- 16 Fixed crossings
- 17 Hymer-ARCTICA de-icing platform
- 18 Multifunctional work platform

FIXED STAIRS

- With single-sided handrail on the stair.
Ergonomic and coated for clean hands.
- With wall mounting brackets at top and floor brackets at bottom.
- Railing height 1,100 mm.
- Shipping in preassembled assemblies.

Features:

- Permissible step load 150 kg.
- Total permissible load 300 kg.
- CE compliant in accordance with DIN EN 1090.
- Not permissible in accordance with DIN 1055 and DIN 18065 (stairs for residential buildings).



hymer-configurator.com

QUICKLY AND EASILY CONFIGURABLE OPTIONS:



Step width optionally
600, 800 or 1,000 mm



Stair angles
from 35°–75°
in 5° increments



Standing heights
in 10 mm increments



Fixed or removable
stair and platform
railings



Various step and
platform treads
from R11 to R13

FIXED STAIRS WITH PLATFORM

- With single-sided handrail on the stair and platform railing. Ergonomic and coated for clean hands.
- With wall mounting brackets at top and floor brackets at bottom.
- Railing height 1,100 mm.
- Shipping in preassembled assemblies.

Features:

- **Permissible step load 150 kg.**
- **Total permissible load 300 kg.**
- **CE compliant in accordance with DIN EN 1090.**
- **Not permissible in accordance with DIN 1055 and DIN 18065 (stairs for residential buildings).**



hymer-configurator.com

QUICKLY AND EASILY CONFIGURABLE OPTIONS:



Step width optionally 600, 800 or 1,000 mm



Stair angles from 35°–75° in 5° increments



Standing heights in 10 mm increments



Platform lengths in 50 mm increments



Fixed or removable stair and platform railings



Various step and platform treads from R11 to R13

MOBILE PODIUMS

- With double-sided handrails on the stair and all-round platform railins. Ergonomic and coated for clean hands.
- All castors braked.
- Mobile cross-beams in signal colour for good visibility.
- Railing height 1,100 mm.
- Robust support construction allows high heights without losing stability.
- Shipping in preassembled assemblies.

Features:

- **Permissible step load 150 kg.**
- **Total permissible load 300 kg.**



hymer-configurator.com

QUICKLY AND EASILY CONFIGURABLE OPTIONS:



Step width optionally 600, 800 or 1,000 mm



Stair angles from 35°–75° in 5° increments



Standing heights in 10 mm increments



Platform lengths in 50 mm increments



Fixed or removable stair and platform railings



Various step and platform treads from R11 to R13



Chassis optionally with swivel or fixed castors



Optionally with electrical battery brake system

FIXED CROSSINGS

- With single-sided handrails on the stair and platform railing. Ergonomic and coated for clean hands.
- Railing height 1,100 mm.
- Shipping in preassembled assemblies.

Features:

- **Permissible step load 150 kg.**
- **Total permissible load 300 kg.**
- **CE compliant in accordance with DIN EN 1090.**
- **Not permissible in accordance with DIN 1055 and DIN 18065 (stairs for residential buildings).**



hymer-configurator.com

QUICKLY AND EASILY CONFIGURABLE OPTIONS:



Step width optionally
600, 800 or 1,000 mm



Stair angles
from 35°–75°
in 5° increments



Standing heights
in 10 mm increments



Platform lengths
in 50 mm increments



Fixed or removable
stair and platform
railings



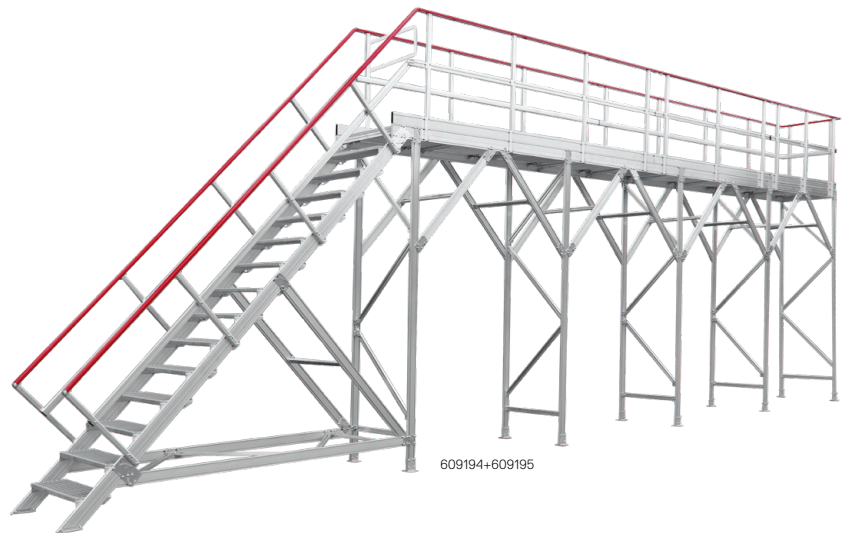
Various step and
platform treads
from R11 to R13



Stairway length
individually
configurable

HYMER-ARCTICA DE-ICING PLATFORM

- All year round for activities such as cleaning, repairs and maintenance work.
- No side stabilisers required so two articulated vehicles can be processed at the same time.
- Steps are clearly visible even in the dark thanks to reflectors. Platform and step treads made of steel grating with anti-slip property class R12.
- Platform extendible in 2 metre increments.
- Self-locking access door for safe work.
- Applied standard: EN ISO 14122.
- Incl. high-quality telescopic ice and snow pusher with holder fitted to the platform when purchasing a 609193 or 609194.
- Simple and fast assembly thanks to preassembled modules.

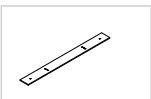


609194+609195



Description	Base short	Base long	Extension
Platform length (approx. mm)	5,000	7,000	each 2,000
Platform width (approx. mm)	800	800	800
Basic construction	Alu		
Platform floor covering	Galvanised steel grating		
Anti-slip	Class R12		
Stairway angle	45°		
Step depth (approx. mm)	270	270	270
Standing height platform (approx. mm)	3,200	3,200	3,200
Weight (approx. kg)	423.0	546.0	123.0
Permissible load per step/total (kg)	150/300	150/300	150/300
Incl. ice/snow pusher with holder	yes	yes	no
Order no.	609193	609194	609195

Recommended accessories:



Base plate for platform and stairs

- Solid, galvanised base plates (available as accessory) make fastening to the ground unnecessary.
- Order no. 609197



Ice/snow pusher

- Remove ice and snow quickly and easily from trucks using high-quality telescopic pusher. Rubber edge prevents damage to the tarpaulin.
- Order no. 609196

MULTIFUNCTIONAL WORK PLATFORM

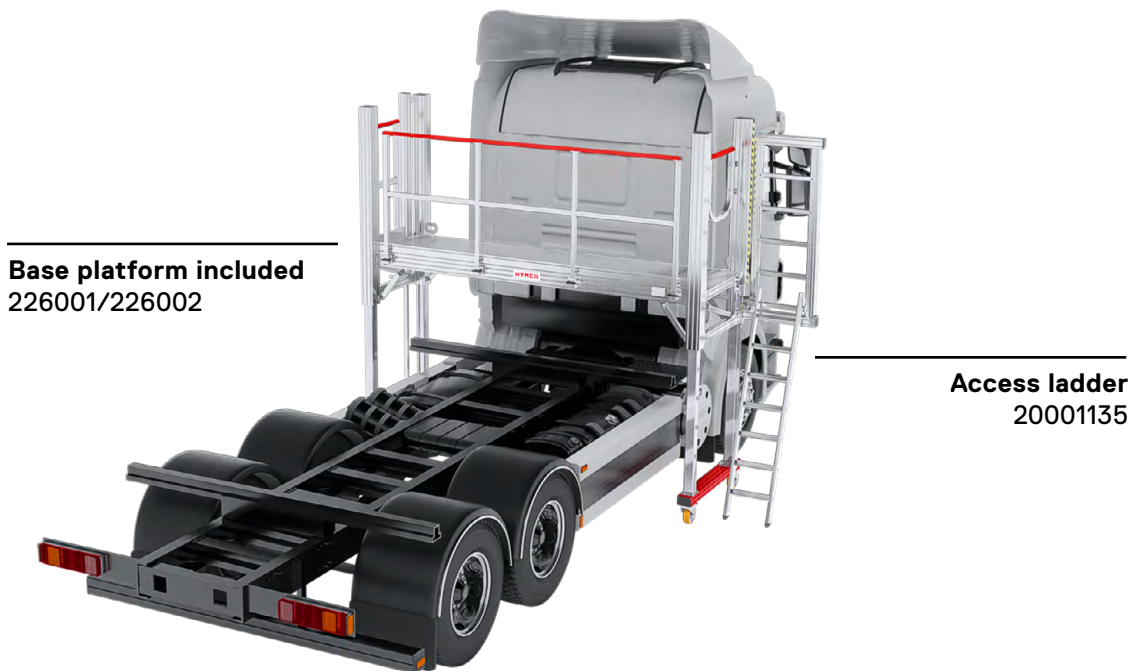
Versatility to suit any application

Whether it's regular maintenance or urgent repair work – when working on commercial vehicles, machinery or equipment, it is crucial to not only have optimal access but also ensure you can do your tasks with the utmost safety and comfort.

Our new customisable multifunctional work platform, for instance, lets you work on a vehicle's front and rear spoilers, windscreen and rooftop safely, easily and comfortably.

It is also great for situations that require a height-adjustable work platform with a brace-free base.

Example of use: What your platform could look like



Adjustment method	Height adjustment with locking pins	Height adjustment with crank
Order no.	226001 + 20001135	226002 + 20001135

Your base platform

Select the base module.

Height adjustment with locking pins

The base module platform featuring locking pins for height adjustment is designed to be a hassle-free option for permanent use. Once adjusted to the desired height, the base platform is exceptionally low maintenance because the mechanism does not require lubrication.

- Great value for moneys
- Perfect for applications that do not require frequent height adjustment
- Low maintenance



Height adjustment with crank

The base module platform featuring a crank for height adjustment can be quickly and effortlessly raised or lowered without a forklift or crane. The convenient crank is easy and smooth to operate, making the platform extremely versatile.

- Continuous adjustment
- Requires little effort
- No electricity needed



Base platforms

Adjustment method	Height adjustment with locking pins	Height adjustment with crank
Walking surface	grooved aluminium R11	grooved aluminium R11
Platform length (approx. mm)	3,250	3,250
Clear length (approx. mm)	3,000	3,000
Total height min./max. (approx. mm)	2,104/3,304	2,104/3,304
Standing height (approx. mm)	800 – 2,000 (in 100 mm increments)	800 – 2,000 (stepless)
Guardrail height (approx. mm)	1,100	1,100
Cross-beam width (approx. mm)	1,200	1,200
Swivel castors with brakes diameter (approx. mm)	—	160
Step width (approx. mm)	800	800
Total load capacity (approx. kg)	300	300
Step/rung load capacity (approx. kg)	150	150
Own weight (approx. kg)	285	325
Order no.	226001	226002

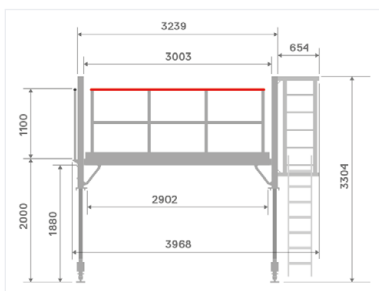
Your safety platform

Choose the access type.

Access ladder

Practical, multifunctional and space-saving: The hooks allow the access ladder to be attached to the platform in no time. Similarly, the ladder can be removed just as quickly to serve as a means of access elsewhere.

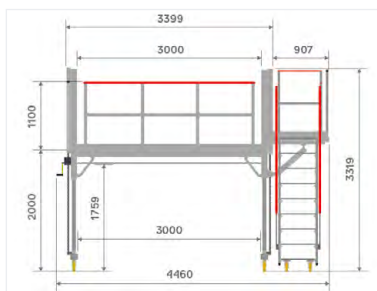
- Great value for money
- Takes up little space
- Can also be used as a hanging ladder



Four-stile access steps

The four-stile access steps without extension can be attached to the platform's short side. It automatically adapts to the platform height and overall offers a high level of comfort and safety. For instance, workers can use the access steps whilst carrying a toolbox.

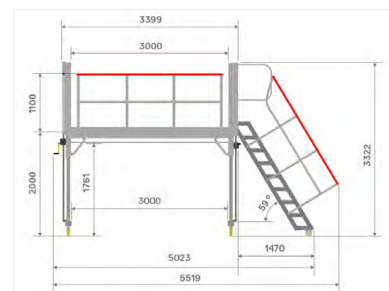
- Angle varies automatically with height (approx. 19° – 59°)
- Comfortable to use thanks to 500 mm step width
- Guardrails on both sides to ensure safe access



Four-stile access steps with extension

The four-stile access steps with extension and guardrails can be attached to the platform's short side to form an L-shape. This is in line with the versatile and space-saving nature of the platform because the overall platform length is reduced by having the access steps at a 90° angle to the platform.

- Angle varies automatically with height (approx. 19° – 59°)
- Comfortable to use thanks to 500 mm step width
- Guardrails on the access steps and extension to ensure safety
- Space-saving due to L-shape configuration



Access

Type	Access ladder	Four-stile access steps	Four-stile access steps with extension
Positioning	dependent on height (in 280 mm increments)	on the short side	on the short side in L-shape
Length added by the access option retracted/extended (approx. mm)	+ 700	+ 2,540/+ 2,050	+ 950
Width added by the access option retracted/extended length (approx. mm)	—	—	+ 2,360/+ 1,870
Dimensions of extension length x width (approx. mm)	—	—	935 x 680
Ladder inner width (approx. mm)	350	—	—
Step distance (approx. mm)	250	—	—
Step width (approx. mm)	—	520	520
Step depth (approx. mm)	80	300	300
Including	hooks on both sides	double-sided guardrail	double-sided guardrail
Order no.	20001135	20001137	20001136

Your comfort platform

Optional accessories to make work easier - everything your platform needs.



Storage tray (narrow/wide)

Practical and convenient: The storage trays let you keep tools and small parts within reach. For attaching to the handrail on a guardrail.

Dimensions		
width x depth x height (approx. mm)	500x100x 85	500x200x 85
Maximum load capacity (approx. kg)	10	10
Order no.	20000582	20000583



Forklift bracket set

For securely lifting the platform with a forklift. The forklift brackets are mounted directly underneath the platform. Only for modular platform 226001 (height adjustment with locking pins).

Bracket opening	
width x height (approx. mm)	250x100
Order no.	20001132



Crank jack set (2 pieces)

Each set contains two crank jacks, including mounting hardware. The crank jacks are fitted to the cross-beams on the platform's short sides. For improving stability and compensating for uneven ground.

Widens the chassis by (approx. mm)	255
Order no.	20001134



Add-on guardrail

Depending on the conditions on site, the add-on guardrail can be installed to further enhance safety and comfort. Four guardrail mounts with clamping lever ensure the guardrail is firmly secured.

Guardrail bracket (clamping lever)	4
Length (approx. mm)	3,000
Order no.	20001294



Lifting eye set (4 pieces)

For securely lifting the platform with straps and overhead cranes as well as for moving it indoors with a crane (if the situation allows). The four lifting eyes are mounted directly on the frame of the platform – a convenient alternative to forklift brackets. Recommended for modular platform 226001 (height adjustment with locking pins).

Eye diameter (approx. mm)	50
Order no.	20001133

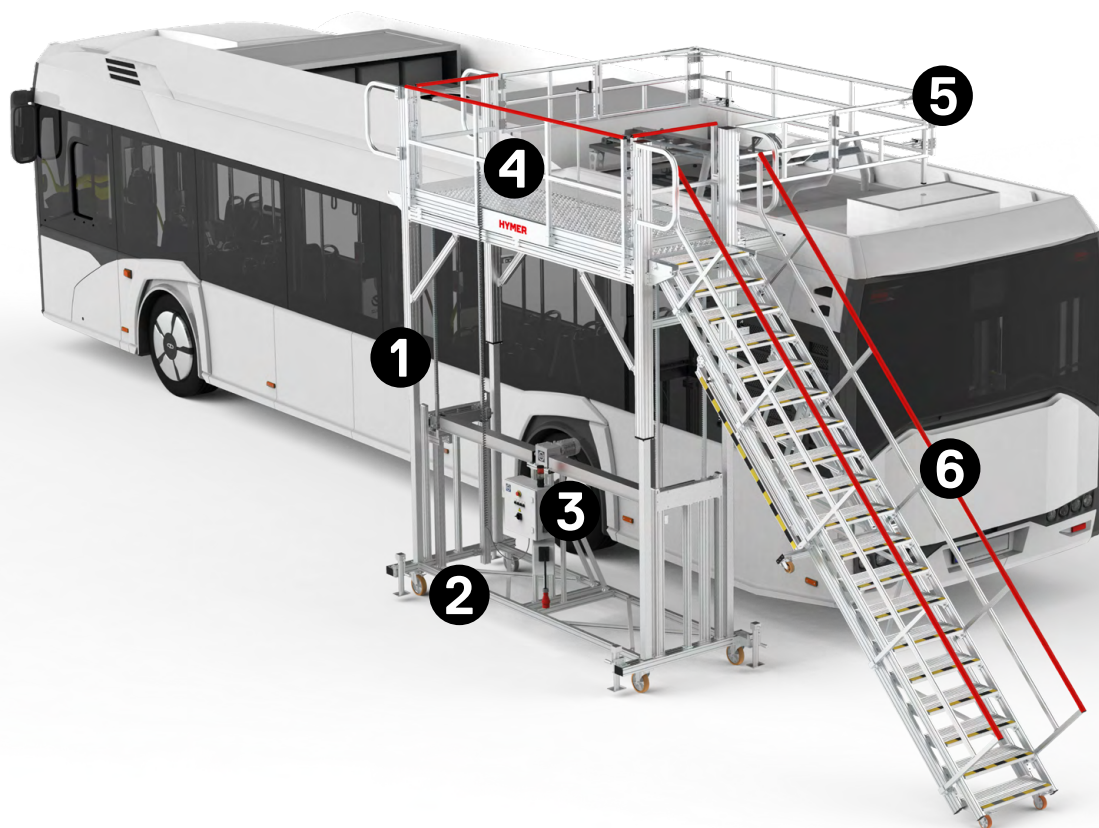
SPECIAL DESIGNS

- 23 Example application bus maintenance platform
- 24 Example application assembly platform

EXAMPLE APPLICATION BUS MAINTENANCE PLATFORM

The mobile and electrically height-adjustable work platform for maintenance work on buses is an example of how customised solutions can be easily implemented with the HYMER modular system. The requirements were:

- A platform suitable for different vehicle models.
- Can be used in various locations.
- Securing the maintenance technician on the bus roof in accordance with current occupational health and safety guidelines.



1 Sturdy construction

The height adjustment guide is particularly stable thanks to a profile guide.

3 Electric height adjustment

Drive system with dynamic and static self-locking that can be easily operated via pendant control.

5 Movable safety railing

Retractable and lockable railing basket as fall protection.

2 Robust chassis

Four swivel castors with brakes and support feet for secure positioning.

4 Non-slip platform

With duet bead plate covering 3.5/5, aluminium (R10) and drawer with bumper, which can be extended 50 cm by hand crank.

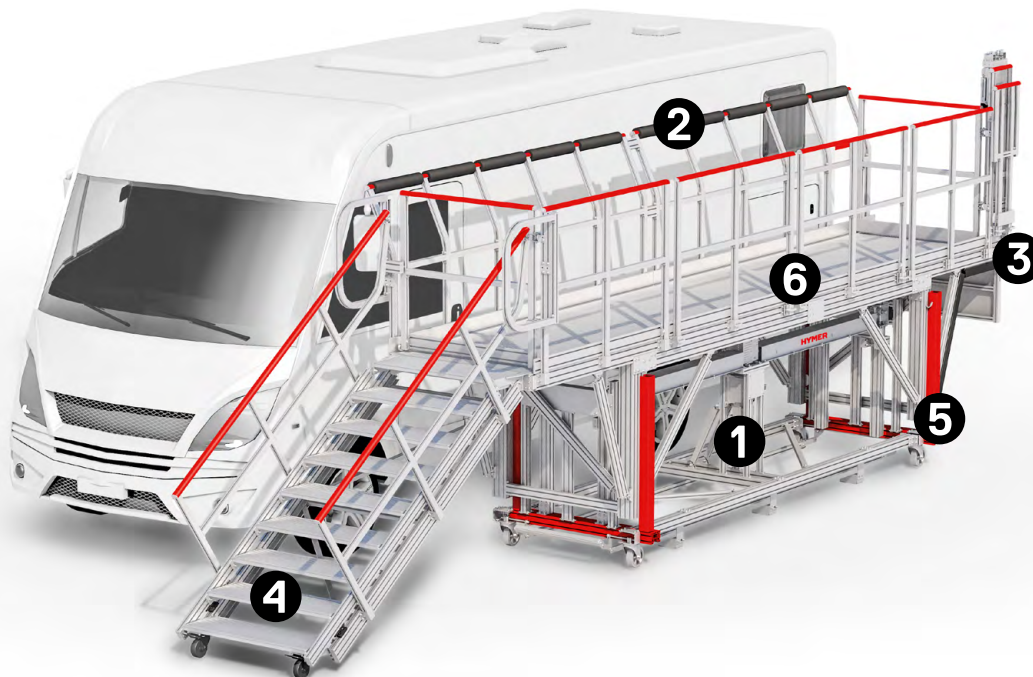
6 Four-stile staircase

With two swivel castors with brakes and fold-out support section for easy manoeuvring of the stairs.

EXAMPLE APPLICATION ASSEMBLY PLATFORM

Customised, flexible and yet secure: An electric height-adjustable work platform is an example of we can deliver impressive solutions also for a wide range of special requirements. The requirements were:

- Several connectable platform segments for roof work on the sides of the vehicle. It must be possible to carry out all work on the vehicle roof from the platform.
- Adaptation to different vehicle heights and types through electric height adjustment.
- The platform needed to be mobile for positioning in different locations in the hall.
- Railing with handrail, knee and foot rail; vehicle-side railing with padding.
- Continuous bumper on the vehicle side to protect the vehicles.



❶ Electric height adjustment

Up to 650 mm height adjustment of the platform by electric motor drive, separately possible for each segment. Control via a flexibly extendable control panel.

❸ Easy connection

Several platform segments can be connected to each other by a simple coupling system, so that vehicles of different lengths or several vehicles can be processed at the same time.

❺ Chassis with a central brake unit

Manual manoeuvring of the platform segment via swivel castors, the locking of which takes place via a central brake unit. Increases work safety.

❷ Padded railing

To protect the vehicles and ensure comfortable, ergonomic working, the handrail of the complete vehicle-side railing padded.

❹ Mobile stairs

The stair angle is 45° in the centre position and adapts to the platform height. Grooved aluminium steps, handrail coated on both sides in signal red and castors for easy manoeuvring.

❻ Clamp-on railing elements

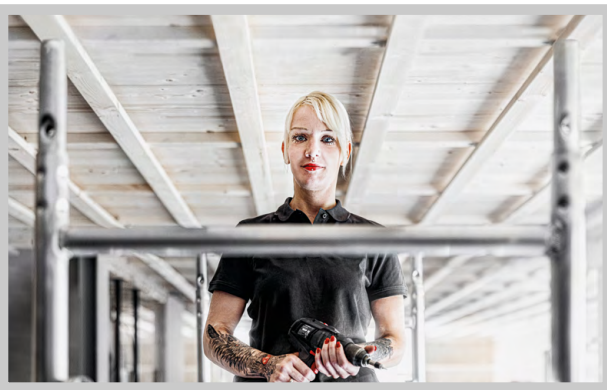
Conveniently removable guardrail elements for easy conversion. With coated handrail in signal red as well as knee and foot rail.

HYMER-ACCESS TECHNOLOGY



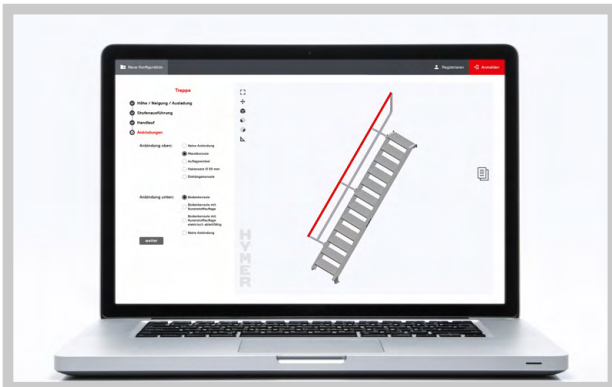
LADDERS AND STEPS

- Leaning and hookable ladders
- Extension and rope-operated extension ladders
- Step ladders
- Multipurpose ladders
- Platform ladders and stockers' ladders
- Products for special applications
- Steps and working platforms



MOBILE TOWERS

- Mobile towers with stairway
- Different platform sizes
- Optionally with mobile cross-beams / stabilisers



STAIRS, PLATFORMS AND MAINTENANCE PLATFORMS

- HYMER configurations
- Special designs
- Online-configurator: hymer-configurator.com



VERTICAL LADDERS

- Ladder for building maintenance
- Escape ladder / fire escape / escape route
- Maintenance ladder for machine systems
- Online-configurator: hymer-configurator.com

BASED IN THE ALLGÄU, LOCATIONS THROUGHOUT EUROPE.


60 years of excellent quality made in Germany.


Under the leadership of our founding family since day one, we are successful on the market as a stable company active throughout Europe. Because we don't settle for mediocrity, but constantly

question and re-define the accepted standards. This is how we create both stability and progress.




Milton Keynes, UK


Hamburg, DE


Weissenburg, FR


Wangen in
Allgäu, DE


Tresdorf, AT


Montlingen, CH


Vallodolid, ES

Hymer-Leichtmetallbau GmbH & Co. KG

Käferhofen 10 | 88239 Wangen | Germany

Telephone +49 75 22 700-702

technical-sales@hymer-alu.de | hymer-access.com

hymer-access.com

You can also download all
brochures from our website:



Written information on the products and images thereof may differ from the actual design in individual cases.
Errors, price changes and design modifications are also reserved.

Version: 04/2024