



ALU-PRO catalogue

# LADDERS AND TOWERS FOR PROJECT AND TRADE

# WHAT DO YOU HAVE TO CONSIDER WHEN USING CLIMBING AIDS?



**Wrong:**  
The young man is standing above the last permissible rung – there is a high risk of falling.



**Right:**  
Here the last permitted rung is used, which makes the stand remarkably safer.



**Wrong:**  
The angle of the ladder is too obtuse. It can easily slip.



**Right:**  
The “elbow method” helps to determine whether the ladder is positioned at the right angle.



**Wrong:**  
Working on uneven surfaces is highly dangerous.



**Right:**  
Make sure that the ladder is placed on a firm surface so that the ladder has a stable standing position.



**Wrong:**  
The ladder was not positioned at the right angle. The safety straps are loose. The ladder is unstable.



**Right:**  
The taut safety straps indicates that the ladder is placed at the correct angle. The standing position is stable.



**Wrong:**  
Both hands are needed to carry the tool – a safe grip is not possible here.



**Right:**  
Practical trays for tools and other small parts ensure that the worker’s hands are as free as possible for working on the ladder.

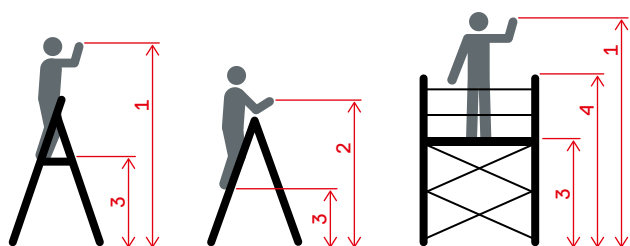


**Wrong:**  
Wearing unsafe footwear increases the risk of slipping off the steps or rungs.



**Right:**  
Wearing sturdy shoes to climb on the ladder increases safety and comfort when working.

## ILLUSTRATION OF STANDING HEIGHT, WORKING HEIGHT AND REACH HEIGHT



- 1 reach height
- 2 working height
- 3 standing height
- 4 tower height

**working height = standing height + 1.50 m**  
**reach height = standing height + 2.00 m**

# TABLE OF CONTENTS

---

## LADDERS

Rung leaning ladder	7
Extension ladder, two-section	8
Rope-operated extension ladder, two-section	9
Rope-operated extension ladder, three-section	10
Telescopic ladder	11
Combination ladder, two-section	12
Combination ladder, three-section	13
Combination ladder, three-section with Smart-Base®	14
Step ladder with platform, single-sided accessible	15

## ACCESSORIES AND SPARE PARTS

Accessories	17
Spare parts	20

## TOWERS

Modular tower ALUPRO concept	24
------------------------------	----

# AT A GLANCE

We know how important it is to find the right access technology that meets your needs. That is why we highlight the most important features of our products as you browse through our catalogue.

Look for the symbols on the right-hand side of each product page. You can then see the most important information at a glance.



**Ladders with this symbol are intended for use in the work environment:**

They are subjected to higher loads in the test procedure than ladders for private use.



**This symbol indicates ladders for private use:**

Commercial users must ensure that they only use ladders for professional use.

EN  
131

EN  
131-4

EN  
1004

**Focusing on safety and compliance: Ergonomic and standard-compliant HYMER access technology**

Our access technology products are always compliant with the applicable standards and regulations. Access technology products are regularly being used in industry and the craft trades for maintenance, servicing and repair work. To minimise the risk of fall accidents, care should be taken during procurement to only use products that are not only safe and stable, but also comply with ergonomic criteria and legal standards. The conformity and safety of our HYMER access technology is highlighted by corresponding buttons.



**Anti-slip on ladders**

Steps on HYMER ladders comply with anti-slip property class R11. In oily or wet applications, ladders with anti-slip property class R13 are the right choice.



### **Maxim load**

Before using a ladder or tower, it is essential to check the maximum permissible load. Each of our access technology products is labelled with a pictogram indicating the respective weight limit. This information is extremely important to avoid accidents and injuries.



### **Durability and quality combined: 5-year warranty on products**

Our products impress with their high-quality workmanship, robust design and particularly long service life. We stand by this promise by giving a five-year warranty on design, materials and workmanship.



### **Development and production in Wangen im Allgäu – Made in Germany**

All HYMER access technology products are developed, designed and manufactured exclusively at our headquarters in Wangen in Germany's Allgäu region. Our development and production processes are certified in accordance with DIN EN ISO 9001–2008, which guarantee safety and maximum reliability. This means we can assure you of tested quality and emphasise our commitment to work safety, also for working at height.



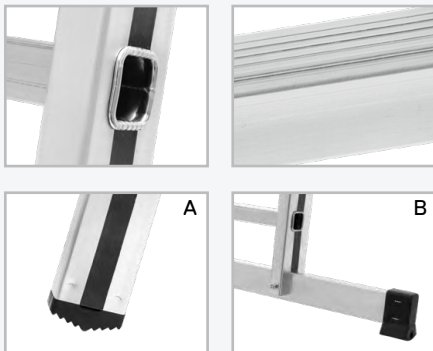
# LADDERS

---

- Durable stiles of high quality extruded profile.
- Comfortable, wide rungs with 30 mm rung depth.

**Features:**

- Ladder inner width 294 mm.



Number of rungs	6	8	10	12	14	16
Stile (approx. mm)	60	60	60	60	60	71
Length (approx. m)	1.75	2.31	2.87	3.42	3.98	4.54
Standing height (approx. m)	0.70	1.23	1.75	2.35	2.90	3.44
Reach height (approx. m)	2.70	3.23	3.75	4.35	4.90	5.44
Width top/bottom (approx. mm)	350/350	350/350	350/350	350/742	350/742	350/798
Weight (approx. kg)	2.8	3.7	4.6	5.9	6.7	8.6
Ladder bottom	A	A	A	B	B	B
Order no.	7001106	7001108	7001110	70011299	70011499	7001116

**Recommended accessories:**



Cross-beam for ladder section  
Page 18



Set of foot pikes for stiles  
Page 17

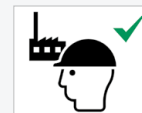
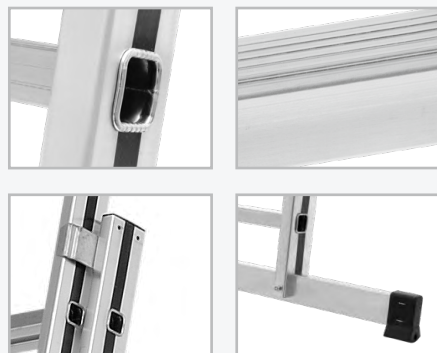
# EXTENSION LADDER, TWO-SECTION

70046

- Durable stiles of high quality extruded profile.
- Comfortable, wide rungs with 30 mm rung depth.
- Stable guide fittings made of aluminium.
- Stable cross-beam for high stability.

**Features:**

- Ladder inner width 294 mm (top section).



	2x8	2x10	2x12	2x14
Number of rungs	2x8	2x10	2x12	2x14
Stile top/bottom (approx. mm)	60/60	71/71	71/71	71/71
Number of rungs at max. extension	14	17	21	25
Length retracted/extended (approx. m)	2.31/3.99	2.87/4.83	3.43/5.95	3.99/7.07
Standing height (approx. m)	2.88	3.69	4.78	5.86
Reach height (approx. m)	4.88	5.69	6.78	7.86
Width extended top/bottom (approx. mm)	350/796	350/830	350/940	350/1,054
Weight (approx. kg)	8.6	11.1	13.1	16.4
Order no.	7004616	700462099	700462499	700462899

**Recommended accessories:**



Wall spacer  
Page 19



Ladder holder set for gutters  
Page 18



Ladder bracket set for roof racks  
Page 19



# ROPE-OPERATED EXTENSION LADDER, TWO-SECTION

70051

- Durable stiles of high quality extruded profile.
- Comfortable, wide rungs with 30 mm rung depth.
- Stable guide fittings.
- Convenient extension of the ladder using wall rollers.
- Stable cross-beam for high stability.

## Features:

- Ladder inner width 294 mm (top section).



	2x12	2x14	2x16	2x18
<b>Number of rungs</b>	2x12	2x14	2x16	2x18
<b>Stile</b> top/bottom (approx. mm)	71/71	83/83	83/83	89/89
<b>Number of rungs</b> at max. extension	20	25	27	32
<b>Length</b> retracted/extended (approx. m)	3.42/5.66	4.02/7.10	4.58/7.66	5.14/9.06
<b>Standing height</b> (approx. m)	4.49	5.84	6.39	7.74
<b>Reach height</b> (approx. m)	6.49	7.84	8.39	9.74
<b>Width</b> extended top/bottom (approx. mm)	350/938	350/1,200	350/1,200	350/1,200
<b>Weight</b> (approx. kg)	14.9	20.1	22.8	26.3
<b>Order no.</b>	700512499	700512899	700513299	700513699

## Recommended accessories:



Wall spacer  
Page 19



Ladder holder  
set for gutters  
Page 18

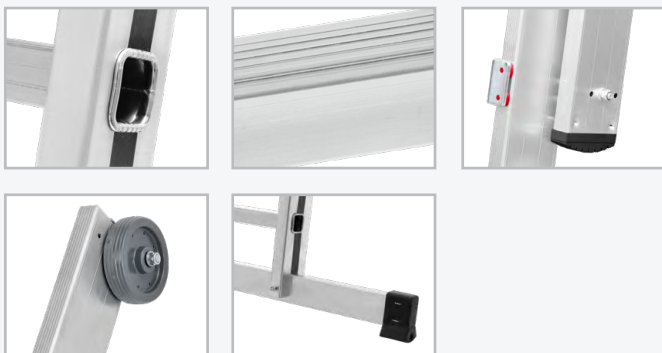


Ladder bracket  
set for roof racks  
Page 19

- Durable stiles of high quality extruded profile.
- Comfortable, wide rungs with 30 mm rung depth.
- Stable guide fittings.
- Convenient extension of the ladder using wall rollers.
- Stable cross-beam for high stability.

**Features:**

- Ladder inner width 300 mm (top section).



<b>Number of rungs</b>	<b>3x12</b>	<b>3x14</b>	<b>3x16</b>
<b>Stile</b> top/middle/bottom (approx. mm)	83/90/83	89/90/89	89/101/89
<b>Number of rungs</b> at max. extension	28	33	39
<b>Length</b> retracted/extended (approx. m)	3.47/7.95	4.03/9.35	4.59/11.03
<b>Standing height</b> (approx. m)	6.49	7.80	9.38
<b>Reach height</b> (approx. m)	8.49	9.80	11.38
<b>Width</b> extended top/middle/bottom (approx. mm)	355/425/1,200	355/425/1,200	355/425/1,200
<b>Weight</b> (approx. kg)	27.2	35.2	44.8
<b>Order no.</b>	<b>7006136</b>	<b>7006142</b>	<b>7006148</b>

Note: Middle section must be extended by at least two rungs before the ladder is fully extended.

**Recommended accessories:**



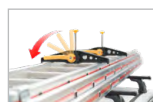
Set of foot pikes for cross-beams  
Page 17



Wall spacer  
Page 19



Ladder holder set for gutters  
Page 18

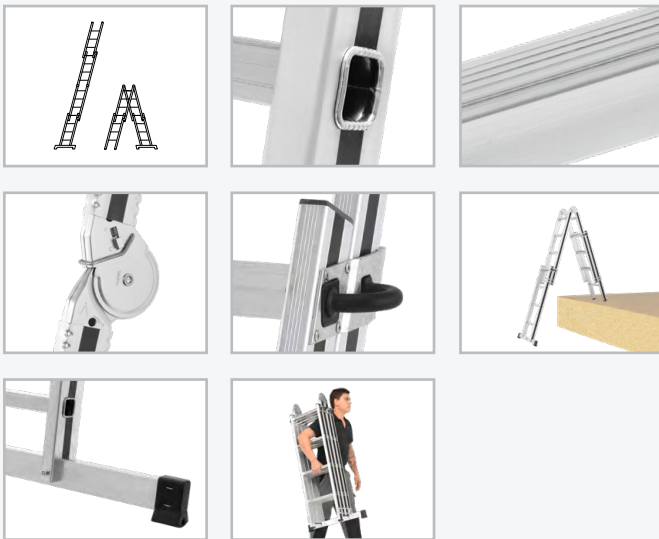


Ladder bracket set for roof racks  
Page 19

- Multifunctional use.
- Durable stiles of high quality extruded profile.
- Comfortable, wide rungs with 30 mm rung depth.
- Easy-to-operate steel hinged joints.
- Height adjustable in 280 mm steps.
- Flexible use in stairway mode.
- Stable cross-beam for high stability.
- Requires little space to transport and store.

**Features:**

- Ladder inner width 300 mm.



<b>Number of rungs</b>	4x4
<b>Stile</b> (approx. mm)	60
<b>Number of rungs</b> at max. extension	14
<b>Length</b> leaning ladder (approx. m)	2.34 – 4.02
<b>Standing height</b> freestanding ladder/leaning ladder (approx. m)	1.25/2.87
<b>Reach height</b> freestanding ladder/leaning ladder (approx. m)	3.25/4.87
<b>Vertical height</b> freestanding ladder (approx. m)	1.12 – 1.92
<b>Width</b> as freestanding ladder top/bottom (approx. mm)	356/751
<b>Folded</b> LxWxH (approx. m)	1.22x0.76x0.27
<b>Base width</b> retracted/extended (approx. m)	0.92/1.43
<b>Weight</b> (approx. kg)	10.8
<b>Order no.</b>	7006916

**Recommended accessories:**



Folding universal ladder step  
Page 17



Bucket hook  
Page 19



Tool bag  
Page 19

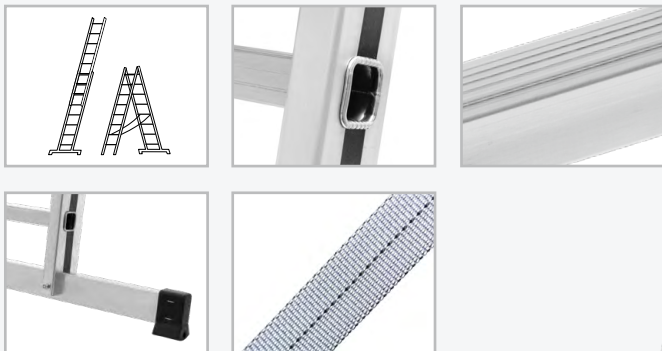
# COMBINATION LADDER, TWO-SECTION

70045

- Multifunctional use.
- Durable stiles of high quality extruded profile.
- Comfortable, wide rungs with 30 mm rung depth.
- Stable cross-beam for high stability.
- High-strength perlon straps provide reliable safety strut.

## Features:

- Ladder inner width 294 mm (top section).



Number of rungs	2x6	2x8	2x10	2x12	2x14
Stile top/bottom (approx. mm)	60/60	60/60	60/60	71/71	71/71
Number of rungs at max. extension	10	13	16	20	24
Length retracted/extended (approx. m)	1.72/2.84	2.28/3.69	2.84/4.52	3.40/5.64	3.96/6.76
Standing height freestanding ladder/leaning ladder (approx. m)	0.96/1.82	1.50/2.63	2.01/3.44	2.54/4.52	3.06/5.57
Reach height freestanding ladder/leaning ladder (approx. m)	2.96/3.82	3.50/4.63	4.01/5.44	4.54/6.52	5.06/7.57
Vertical height freestanding ladder (approx. m)	1.63	2.17	2.68	3.20	3.73
Width extended top/bottom (approx. mm)	350/628	350/796	350/796	350/940	350/1,054
Base width (approx. m)	1.21	1.55	1.91	2.25	2.66
Weight (approx. kg)	6.2	7.9	10.9	13.1	15.5
Order no.	7004512	7004516	7004520	7004524	7004528

## Recommended accessories:



Ladder holder set for gutters  
Page 18



Folding universal ladder step  
Page 17



Bucket hook  
Page 19

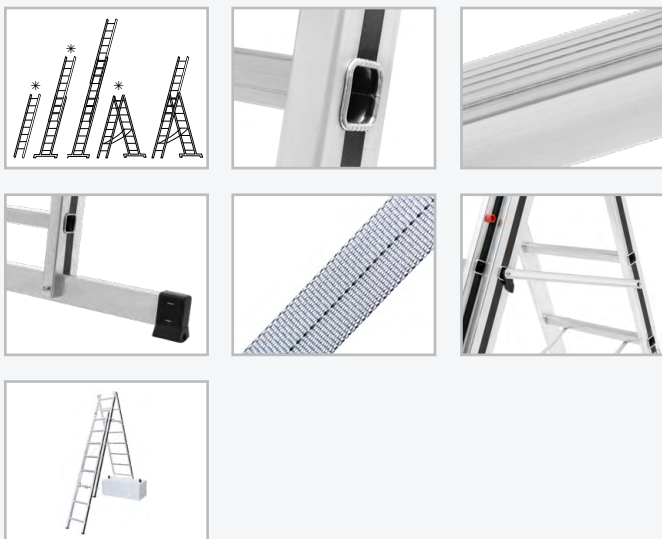
# COMBINATION LADDER, THREE-SECTION

70047

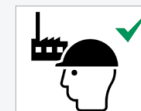
- Multifunctional use.
- Durable stiles of high quality extruded profile.
- Comfortable, wide rungs with 30 mm rung depth.
- Stable cross-beam for high stability.
- High-strength perlon straps provide reliable safety strut.
- Detachable, rigid brace prevents accidental folding.
- Flexible use in stairway mode.

## Features:

- Ladder inner width 294 mm (top section).



\*except size 3x12



	3x6	3x8	3x10	3x12
<b>Number of rungs</b>	3x6	3x8	3x10	3x12
<b>Stile</b> top/middle/bottom (approx. mm)	60/60/60	60/71/60	71/83/71	83/83/83
<b>Number of rungs</b> at max. extension	13	18	23	28
<b>Length</b> retracted/leaning ladder extended (approx. m)	1.75/3.71	2.32/5.11	2.88/6.52	3.49/7.97
<b>Standing height</b> freestanding ladder extended/leaning ladder (approx. m)	1.48/2.60	2.29/3.96	3.34/5.34	4.13/6.71
<b>Reach height</b> freestanding ladder extended/leaning ladder (approx. m)	3.48/4.60	4.29/5.96	5.34/7.34	6.13/8.71
<b>Vertical height</b> freestanding ladder extended (approx. m)	2.50	3.49	4.52	5.37
<b>Width</b> extended top/middle/bottom (approx. mm)	350/415/770	350/415/994	350/415/1,134	350/415/1,200
<b>Base width</b> (approx. m)	1.29	1.61	1.95	2.37
<b>Weight</b> (approx. kg)	10.2	13.5	18.4	25.4
<b>Stairway mode</b>	✓	✓	✓	✓ (600 mm)
<b>Order no.</b>	7004718	7004724	7004730	700473699

## Recommended accessories:



Wall spacer  
Page 19



Ladder holder  
set for gutters  
Page 18



Folding universal  
ladder step  
Page 17



Bucket hook  
Page 19

# COMBINATION LADDER, THREE-SECTION WITH SMART-BASE®

70247

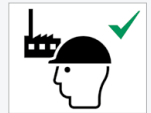
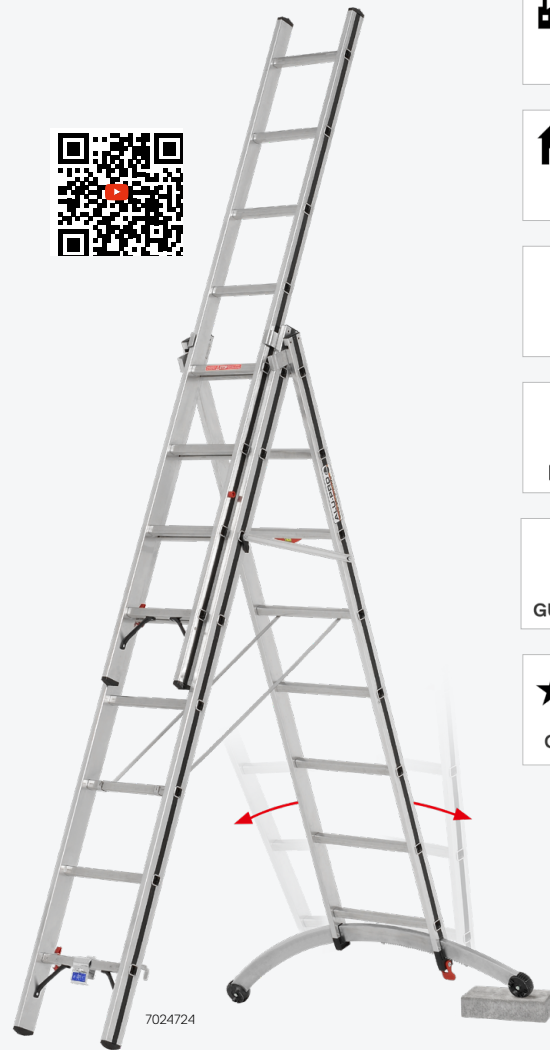
- Multifunctional use.
- Durable stiles of high quality extruded profile.
- Comfortable, wide rungs with 30 mm rung depth.
- High-strength perlon straps provide reliable safety strut.
- Detachable, rigid brace prevents accidental folding.
- Flexible use in stairway mode.
- Compensates ground unevenness up to 120 mm.
- Convenient operation via foot lever.
- Integrated spirit level for precise alignment of the ladder.

## Features:

- Ladder inner width 294 mm (top section).



\*except size 3x12



	3x8	3x10	3x12
<b>Number of rungs</b>	3x8	3x10	3x12
<b>Stile</b> top/middle/bottom (approx. mm)	60/71/60	71/83/71	71/83/71
<b>Number of rungs</b> at max. extension	18	23	28
<b>Length</b> retracted/leaning ladder extended (approx. m)	2.41/5.21	2.99/6.62	3.52/8.02
<b>Standing height</b> freestanding ladder extended/leaning ladder (approx. m)	2.40/3.84	3.45/5.46	4.24/6.81
<b>Reach height</b> freestanding ladder extended/leaning ladder (approx. m)	4.40/5.84	5.45/7.46	6.24/8.81
<b>Vertical height</b> freestanding ladder extended (approx. m)	3.61	4.66	5.45
<b>Width</b> extended top/middle/bottom (approx. mm)	350/415/1,281	350/415/1,513	350/415/1,513
<b>Base width</b> (approx. m)	1.76	2.09	2.42
<b>Weight</b> (approx. kg)	14.3	20.7	24.5
<b>Stairway mode</b>	✓	✓	-
<b>Order no.</b>	7024724	7024730	7024736

## Recommended accessories:



Wall spacer  
Page 19



Ladder holder  
set for gutters  
Page 18



Folding universal  
ladder step  
Page 17



Bucket hook  
Page 19

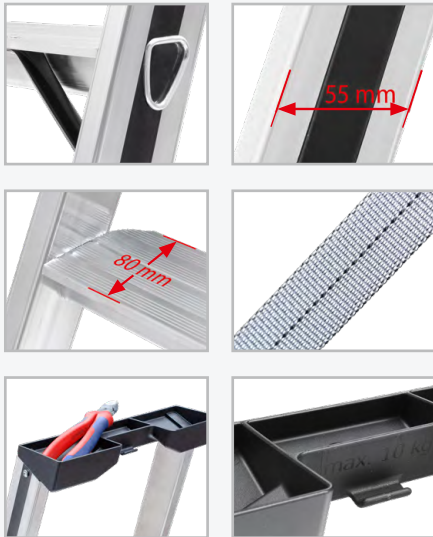
# STEP LADDER WITH PLATFORM, SINGLE-SIDED ACCESSIBLE

70026

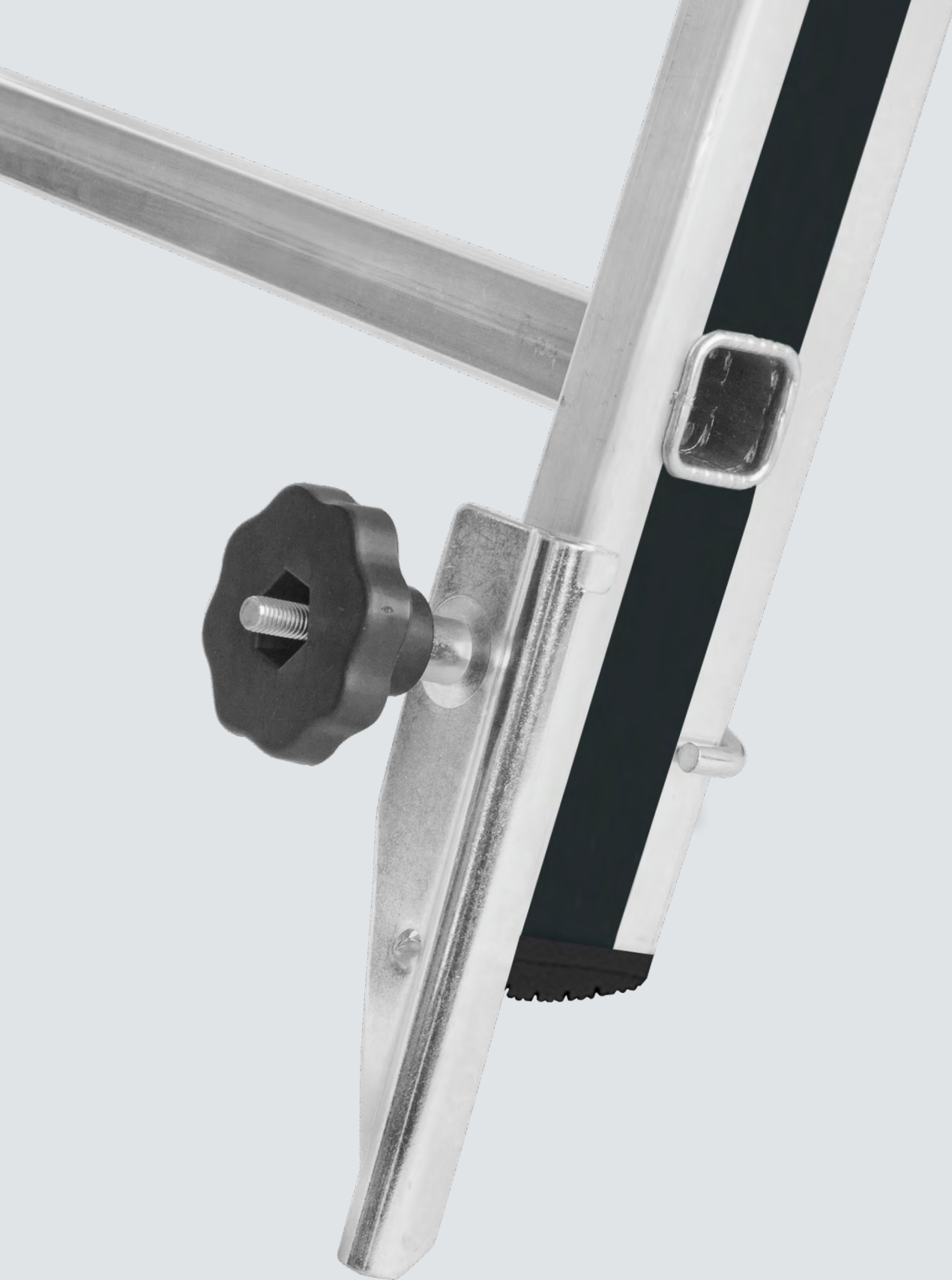
- Very robust thanks to torsion-resistant, swaged stile-step connection.
- Extra reinforced stile for high stability and long service life.
- Ergonomic working on 80 mm step depth. Front step edges flush with stile.
- High-strength perlon straps provide reliable safety strut.
- Practical, spacious plastic tray with bucket hook.

## Features:

- Platform dimensions 250 x 250 mm.



Number of steps incl. platform	3	4	5	6	7	8
Stile (approx. mm)	55	55	55	55	55	55
Length (approx. m)	1.39	1.64	1.89	2.14	2.38	2.63
Standing height (height to platf.) (approx. m)	0.65	0.88	1.12	1.35	1.58	1.81
Reach height (approx. m)	2.65	2.88	3.12	3.35	3.58	3.81
Total vertical height (approx. m)	1.25	1.48	1.71	1.95	2.18	2.40
Width top/bottom (approx. mm)	280/415	280/440	280/465	280/495	280/520	280/545
Base width (approx. m)	0.70	0.85	1.00	1.15	1.30	1.50
Weight (approx. kg)	3.8	4.5	5.3	6.1	6.9	7.6
Spreader lock (perlon strap)	-	-	-	-	✓	✓
Order no.	7002603	7002604	7002605	7002606	7002607	7002608



# ACCESSORIES AND SPARE PARTS

---



# ACCESSORIES



## Hang-on step for rung ladders

- Step width 300 mm, step depth 255 mm.
- Permissible load 150 kg (1.5 kN).

For rung dimensions (mm)	30×30
For ladder inner width of at least (mm)	290
For rung distance (mm)	280
<b>Weight</b> (approx. kg)	<b>0.8</b>
Order no.	005411



## Folding universal ladder step

- Safe standing space on the ladder thanks to step surface located over the middle of the rung.
- The fold-up step ensures safe ascent of the ladder.
- Step width 260 mm, step depth 250 mm.
- Permissible load 150 kg (1.5 kN).

For rung dimensions (mm)	30×30
For ladder inner width of at least (mm)	290
For rung distance (mm)	280
<b>Weight</b> (approx. kg)	<b>1.1</b>
Order no.	0050378



## Set of foot pikes for stiles

- 70 mm tip length according to legislation.
- Adjustable on the stile.
- Self assembly, no tools required.
- Content: 2 foot pikes incl. fastening material.

For stile size (approx. mm)	60–89
<b>Weight</b> (approx. kg)	<b>0.5</b>
Order no.	0051222



## Set of foot pikes for cross-beams

- Sturdy design.
- Swivelling.
- Self assembly by boring.
- Content: 2 foot pikes incl. fastening material.

For type and number of rungs	70046/2×14 70051/2×14+2×16+2×18 70061/3×12+3×14+3×16 70045/2×14 70047/3×12
For cross-beam section (approx. mm)	49×30+60×22 +60×30
<b>Weight</b> (approx. kg)	<b>0.5</b>
Order no.	0050538



## Set of folding feet with non-slip rubber coating

- Self assembly by boring and using tools.
- Content: 2 folding feet incl. fastening material.

For stile size (approx. mm)	60–100
<b>Weight</b> (approx. kg)	<b>0.4</b>
Order no.	0052054



# ACCESSORIES



## Foot extension for rung ladders

- Infinitely adjustable.
- Self assembly, no tools required.
- Including fastening material.

For stile size (approx. mm)	60	66	71	79/83	89	100
Adjustment range (approx. mm)	600	600	600	600	600	600
Weight (approx. kg)	1.7	1.7	1.8	2.0	2.0	2.2
Order no.	005550	005551	005552	005553	0050149	005554



## Cross-beam for ladder section

- Not for ladders with folding foot.
- Cross-beam tube dimensions 60.4×22.0 mm.
- Self assembly by using tools.
- Including fastening material.

For stile size (approx. mm)	50–100
For ladder inner width (mm)	294+300+362+370+430+440+500
Length (approx. mm)	1,200
Weight (approx. kg)	1.2
Order no.	0054063



## Universal cross-beam for all current leaning, extension and rope-operated extension ladders without folding foot

- Increases the stability of the ladder.
- Level compensation up to approx. 350 mm.
- Infinitely adjustable.
- With swivelling steel pikes as standard, 70 mm long.
- Self assembly, no tools required.
- Including fastening material.

For stile size (approx. mm)	60–100
Cross-beam width (approx. mm)	910
Weight (approx. kg)	3.7
Order no.	0050766



## Set of wall rollers

- Self assembly by boring and using tools.
- Content: 2 wall rollers incl. fastening material.

For stile size (approx. mm)	60–100
Roller diameter (approx. mm)	90
Weight (approx. kg)	0.4
Order no.	0054010



## Ladder holder set for gutters

- For gutters complying with DIN 18461.
- For securely fastening ladders to gutters.
- Can be used on all current types of ladders and stile profiles.
- The plastic coating of the clamps protect the gutters against scratches and dents.
- Self assembly, no tools required.
- Content: 2 holders incl. fastening material.

Weight (approx. kg)	0.4
Order no.	0051528



# ACCESSORIES



## Wall spacer for rung ladders

- Fixed wall distance of approx. 400 mm.
- Upper holder width approx. 680 mm.
- With anti-lift device.
- Can be attached without tools using hooks.

For rung dimensions (mm)	30×30
For ladder inner width of at least (mm)	290
For rung distance (mm)	280
<b>Weight (approx. kg)</b>	<b>1.2</b>
<b>Order no.</b>	<b>005485</b>



## Telescopic wall spacer for rung ladders

- Adjustable wall clearance from 420 mm to 670 mm.
- Upper holder width min. 680 mm, max. 940 mm.
- With anti-lift device.
- With tool tray for tools.
- Depth of tool tray 240 mm.
- Permissible tool tray load 15 kg.
- Can be attached without tools using hooks.

For rung dimensions (mm)	30×30
For ladder inner width of at least (mm)	290
For rung distance (mm)	280
<b>Weight (approx. kg)</b>	<b>2.2</b>
<b>Order no.</b>	<b>0051248</b>



## Tool bag for aluminium ladders

- Made of high-quality cotton.
- Bag closed at the sides.
- Self assembly by using hook-and-loop fasteners.
- Permissible load 5 kg (0.05 kN).

<b>Weight (approx. kg)</b>	<b>0.1</b>
<b>Order no.</b>	<b>0054030</b>



## Bucket hook for rung ladders

- Permissible load 25 kg (0.25 kN).

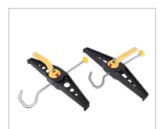
<b>Weight (approx. kg)</b>	<b>0.2</b>
<b>Order no.</b>	<b>0054008</b>



## Ladder bracket set for roof racks

- Quick, safe fastening and securing of ladders on carriers and heavy-load cages.
- Equipped with locks, so that the ladders are protected against theft.
- Content: 2 ladder brackets and 1 pair of keys.

<b>Weight (approx. kg)</b>	<b>2.6</b>
<b>Order no.</b>	<b>0055008</b>



# SPARE PARTS



### Ladder feet set

- Self assembly by using tools.
- Content: 2 feet incl. fastening material.

For stile size (approx. mm)	60	66	71
<b>Weight</b> (approx. kg)	0.1	0.1	0.1
Order no.	0053474	0053475	0053477
For stile size (approx. mm)	79	83	89
<b>Weight</b> (approx. kg)	0.1	0.2	0.2
Order no.	0053478	0053479	0053480



### Ladder shoes set for ladder section for step ladder with platform, single-sided accessible

- Self assembly, no tools required.
- Content: 2 shoes.

For type	70026
<b>Weight</b> (approx. kg)	0.1
Order no.	0053219



### Ladder shoes set for support section for step ladder with platform, single-sided accessible

- Self assembly, no tools required.
- Content: 2 shoes.

For type	70026
<b>Weight</b> (approx. kg)	0.1
Order no.	0053218



### Spare parts set covers

- Self assembly by using tools.
- Content: 2 covers.

	70046/2x8	70046/2x10+2x12+2x14	-
	-	70051/2x12	-
For type and number of rungs	70045/2x6+2x8+2x10	70045/2x12+2x14	-
	70047/3x6+3x8	70047/3x8+3x10	70047/3x10
	70247/3x8	70247/3x8+3x10+3x12	70247/3x10+3x12
For stile size (approx. mm)	60	71	83
<b>Weight</b> (approx. kg)	0.3	0.3	0.3
Order no.	0053205	0053207	0053209

# SPARE PARTS



## Cross-beam

- Self assembly by using tools.
- Incl. fastening material.

For type and number of rungs	70045/2x6	-	-	70047/3x6	70045/2x8+2x10	-	-	70045/2x12
	-	70011/12+14	70069/4x4	-	70046/2x8	70011/16	70046/2x10	70046/2x12
	-	-	-	-	-	-	-	70051/2x12
Length (approx. mm)	628	742	751	770	796	798	830	940
Weight (approx. kg)	0.5	0.5	0.6	0.6	0.6	0.6	0.6	0.7
Order no.	0053962	0054980	0054981	0053960	0053961	0054995	0054996	0053963

For type and number of rungs	70047/3x8	70045/2x14	70047/3x10	70047/3x12	-	-	-
	-	70046/2x14	-	-	70051/2x14+2x16	70051/2x18	70061/3x12+3x14+3x16
Length (approx. mm)	994	1,054	1,134	1,200	1,200	1,200	1,200
Weight (approx. kg)	0.7	1.1	1.1	1.4	1.4	1.4	1.5
Order no.	0052503	0055243	0052043	0055112	0055001	0054999	0054064



## Cross-beam Smart-Base®

- Self assembly by using tools.
- Incl. fastening material.

For type and number of rungs	70247/3x8	70247/3x10+3x12
Length (approx. mm)	1,281	1,513
Weight (approx. kg)	2.0	2.2
Order no.	0055030	0055040



## Cross-beam shoes set

- Self assembly by using tools.
- Content: 2 shoes
- incl. fastening material.

For type and number of rungs	70011/12+14+16	-
	70046/2x8+2x10+2x12	70046/2x14
	70051/2x12	70051/2x14+2x16+2x18
	-	70061/3x12+3x14+3x16
	70069/4x4	-
	70045/2x6+2x8+2x10+2x12	70045/2x14
	70047/3x6+3x8+3x10	70047/3x12
For cross-beam section (approx. mm)	50x22	60x22
Weight (approx. kg)	0.2	0.2
Order no.	0052669	0053483

# SPARE PARTS

---



## Tool tray for step ladder with platform, single-sided accessible

- Self assembly by using tools.

For type	70026
Weight (approx. kg)	0.2
Order no.	0077364



## Spare parts set S-hooks for extension and combination ladders

- Self assembly by using tools.
- Content: 1 S-hook with lock and 1 locking lever incl. fastening material.

For type	70045+70046+70047+70247
Weight (approx. kg)	0.2
Order no.	0052668



## Clamp fitting set for combination ladders, three-section

- Self assembly, no tools required.
- Content: 2 sets of clamping fittings incl. fastening material.

For type	70047/3x6+3x8+3x10 +3x12
and number of rungs	70247/3x8+3x10
Weight (approx. kg)	0.9
Order no.	0054489



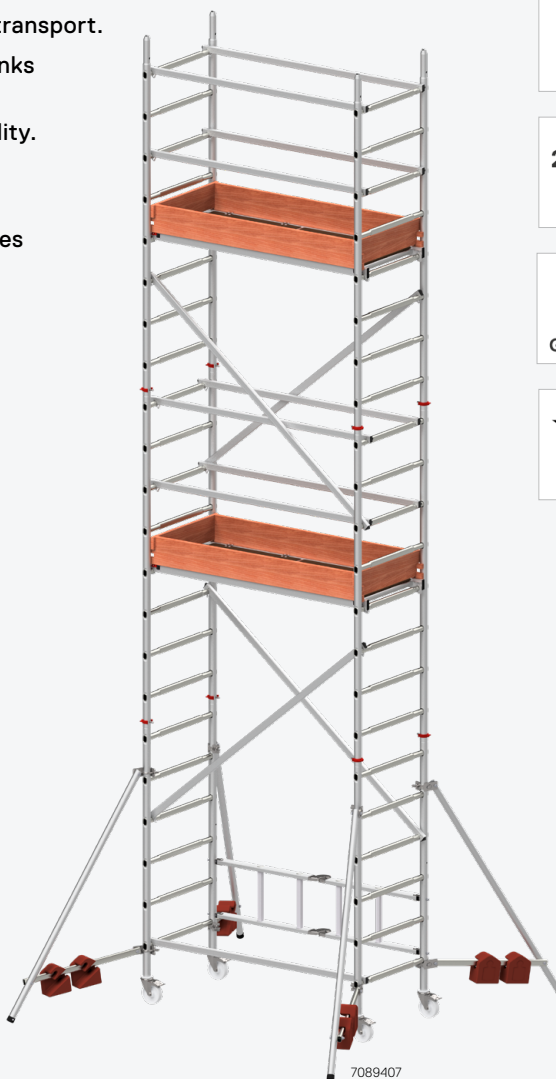
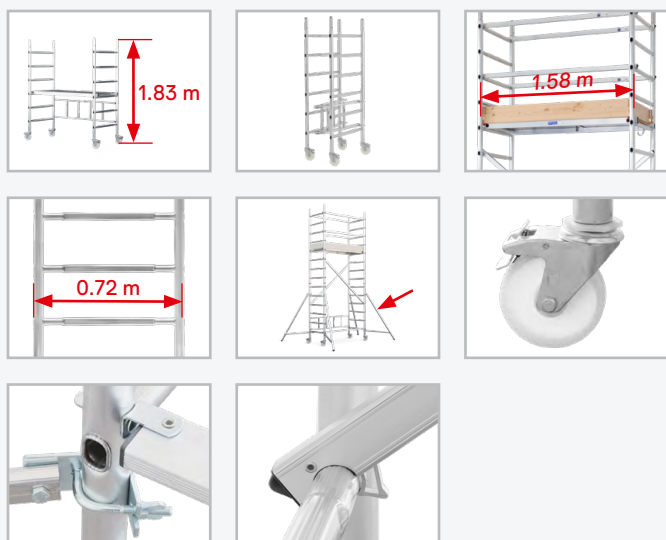
# TOWERS

---

- Lightweight, versatile mobile tower, compact to store and transport.
- Minimum space requirement for transport and storage thanks to the folding function.
- From 4.65 m reach height on with stabilisers for high stability.
- Tools only necessary for initial assembly of the stabilisers and wall connectors.
- Quick assembly and dismantling due to quick-release catches on braces and diagonal braces.

**Features:**

- Working surface 1.58 x 0.61 m.
- Platform length 1.58 m.
- Frame section width 0.72 m.
- Swivel castors Ø 125 mm.





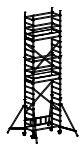
**EN  
1004**

**Max.  
200 kg/m<sup>2</sup>**

↓

**5  
YEAR  
GUARANTEE**

★ ★ ★  
**MADE IN  
GERMANY**

			
<b>Assembly configurations</b>	<b>Module 1</b>	<b>Module 1+2</b>	<b>Module 1+2+3</b>
<b>Order no.</b>	<b>7089403</b>	<b>7089405</b>	<b>7089407</b>
<b>Reach height</b> (approx. m)	2.90	4.65	6.65
<b>Tower height</b> (approx. m)	1.83	3.83	5.83
<b>Standing height</b> (approx. m)	0.90	2.65	4.65
<b>Platform length</b> (approx. m)	1.58	1.58	1.58
<b>Frame section width</b> (approx. m)	0.72	0.72	0.72
<b>Ballasting</b>			
<b>Indoor, centre</b> (kg)	90	40	80
<b>Indoor, on the wall</b> (kg)	90 <sup>(1)</sup>	0 <sup>(2)</sup>	0 <sup>(3)</sup>
<b>Outdoor, centre</b> (kg)	90	40	120
<b>Outdoor, on the wall</b> (kg)	90 <sup>(1)</sup>	0 <sup>(2)</sup>	0 <sup>(3)</sup>

<sup>(1)</sup> No ballasting required when wall connectors (707241) are used at height 1.65 m.  
<sup>(2)</sup> Use of two wall connectors (707241) at height 1.65 m necessary.  
<sup>(3)</sup> Use of two wall connectors (707241) at height 2.15 m necessary.



# MODULAR TOWER ALUPRO CONCEPT

## Individual parts/parts list

Order no.	Description	Module 1	Module 2	Module 3	Module 1+2	Module 1+2+3
		7089403	7039415	7039417	7089405	7089407
7089421	Folding frame	1	0	0	1	1
7009422	8 rung frame section	0	2	2	2	4
7079422	6 rung frame section	2	0	0	2	2
7089424	Platform with trapdoor	1	0	1	1	2
7009425	Toeboard long side	0	2	2	2	4
707226	Toeboard front side	0	2	2	2	4
7089427	Diagonal brace	0	2	2	2	4
7089428	Brace	0	5	4	5	9
707241	Wall connector	2	0	0	2	2
7009436	Stabiliser	0	4	0	4	4
007542	Castor Ø 125 mm with expanding sleeve	4	0	0	4	4
007760	Safety plug	0	4	4	4	8
0095658	Assembly and operation instructions	1	1	1	1	1
<b>Total weight</b> (approx. kg)		24.2	32.2	29.1	56.4	85.5

### Recommended accessories:



Ballast 10 kg  
Order no. 004124



Wall connector  
Order no. 707241

# BASED IN THE ALLGÄU, LOCATIONS THROUGHOUT EUROPE.

60 years of excellent quality made in Germany.

Under the leadership of our founding family since day one, we are successful on the market as a stable company active throughout Europe. Because we don't settle for mediocrity, but constantly

question and re-define the accepted standards. This is how we create both stability and progress.



  
Milton Keynes, UK

  
Hamburg, DE

  
Weißenburg, FR

  
Wangen in  
Allgäu, DE

  
Tresdorf, AT

  
Montlingen, CH

  
Vallodolid, ES



# Hymer-Leichtmetallbau GmbH & Co. KG

Käferhofen 10 | 88239 Wangen | Germany

Telephone +49 75 22 700-700

international-sales@hymer-alu.de | hymer-access.com

## hymer-access.com

You can also download all  
brochures from our website:



Written information on the products and images thereof may differ from the actual design in individual cases.  
Errors, price changes and design modifications are also reserved.

Version: 03/2024